



# specification

## SHEET FOR APPROVAL

Part Name: Piezoelectric passivr buzzer

Type: YX-WY4414

Customer P/N: \_\_\_\_\_

Number of the Edition: \_\_\_\_\_



	Approved by	Checked by	Issued by
Signature			张爱琴
Date			

**Yue Xin Electronics Co., Ltd.**

**Add:** People Industrial Park Chenbao Town Xinghua City Jiangsu province China

TEL:1803-6803-068

**MAIL:**ella\_buzzer@163.com

[www.yuexindz.com](http://www.yuexindz.com)

**QQ:**3605785188



# piezoelectric buzzer

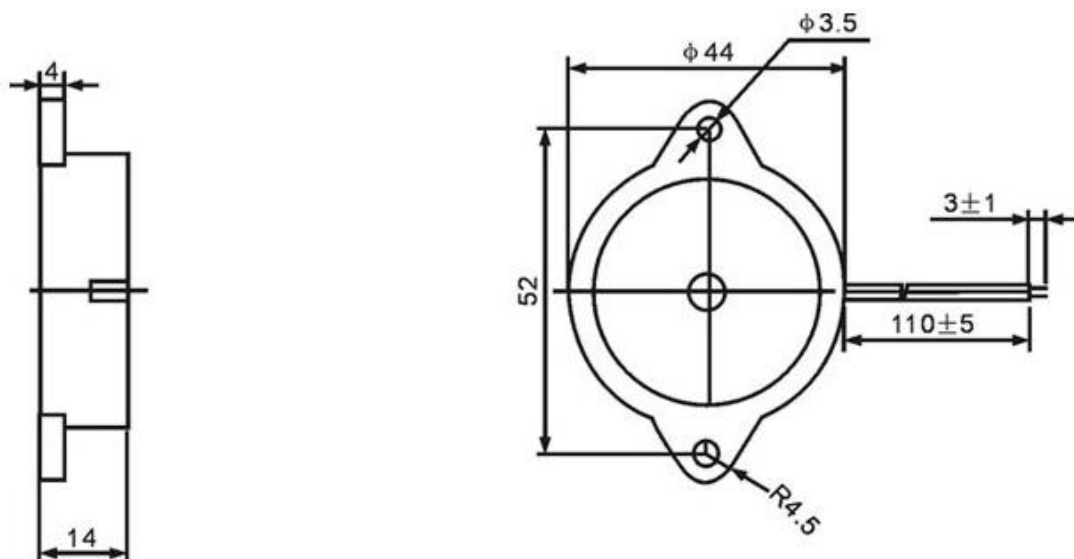
## YX-WY4414

### Electrical Characteristics

1	Rated Voltage (V)	12
2	Operating Voltage (V)	1~30
3	Sound Output at 10cm (dB)	≥80
4	Current Consumption (mA)	≤3
5	Resonant Frequency (Hz)	1000±500
6	Operating Temperature (°C)	-20~+60
7	Housing Material	ABS
8	Weight (g)	10

### Dimensions

(UNIT: mm) Tolerance: ±0.5mm Except Specified

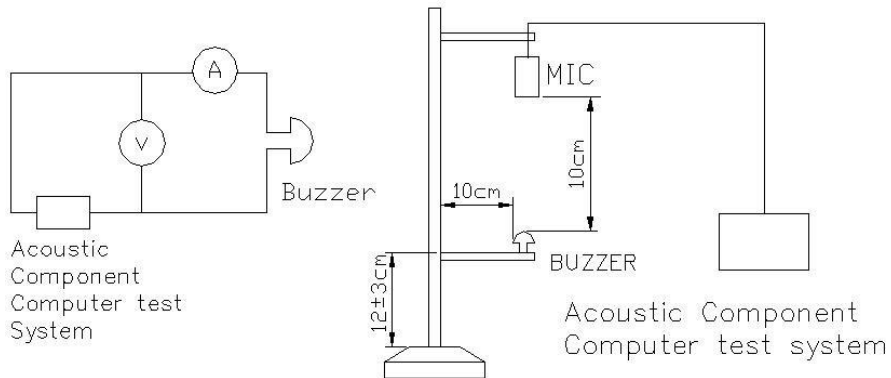




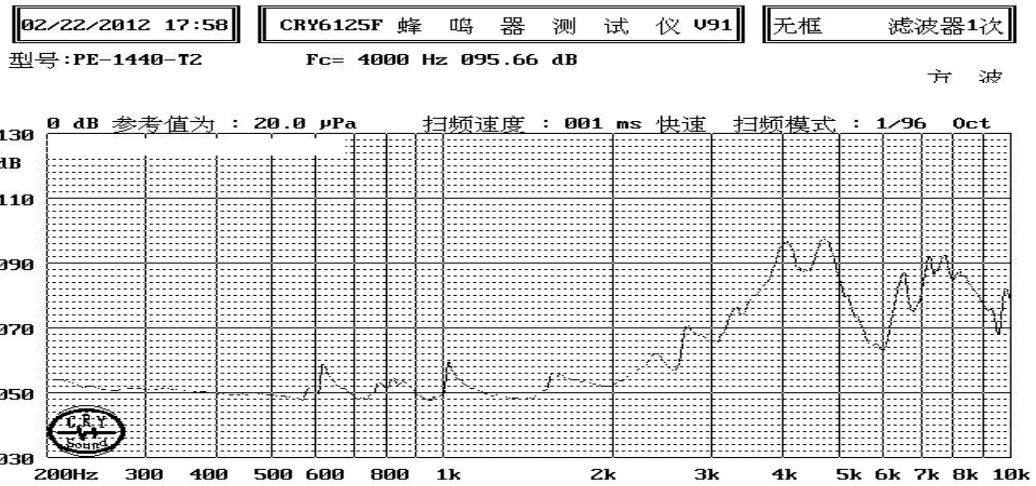
# piezoelectric buzzer

## YX-WY4414

### Testing Method:



### Frequency Response:



Yue Xin Electronics Co., Ltd.

Add: People Industrial Park Chenbao Town Xinghua City Jiangsu province China

TEL:1803-6803-068

MAIL:ella\_buzzer@163.com

[www.yuexindz.com](http://www.yuexindz.com)

QQ:3605785188