



piezoelectric buzzer

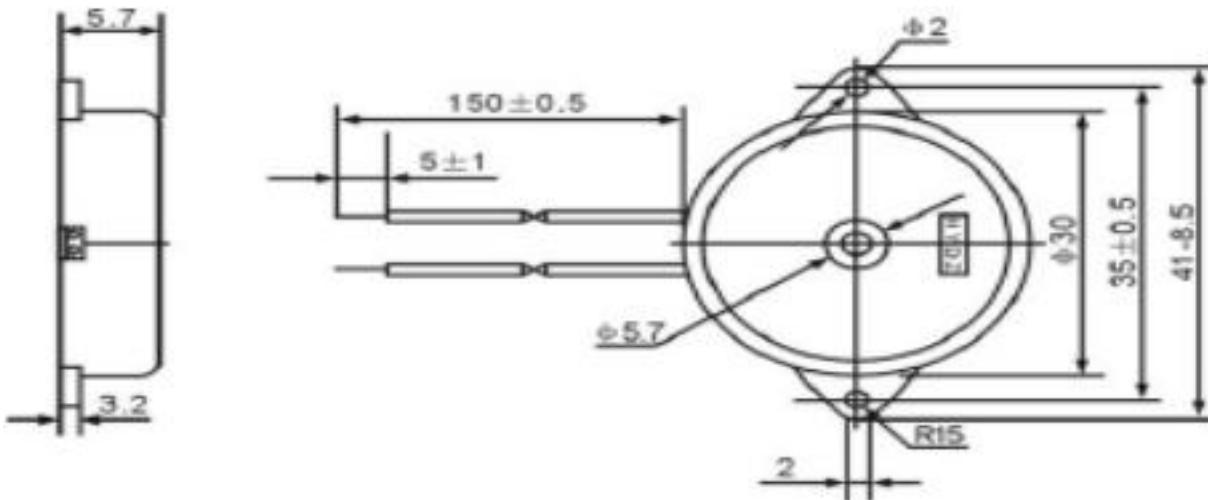
WY3006

Electrical Characteristics

Rated Voltage	V	12
Operating Voltage	V	1 ~ 30
Rated Current (Max)	mA	≤5
Min Sound Output at 10cm	dB	≥85
Resonant Frequency	Hz	1300±500
Operating Temperature	°C	-20~ + 60
Storage Temperature	°C	-30~ + 70
Housing Material	ABS	
Weight	g	3.0

(UNT: mm)

Tolerance: ±0.5mm Except Specified

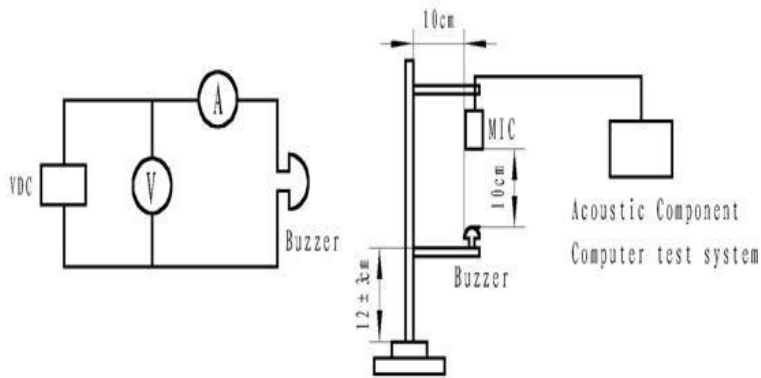




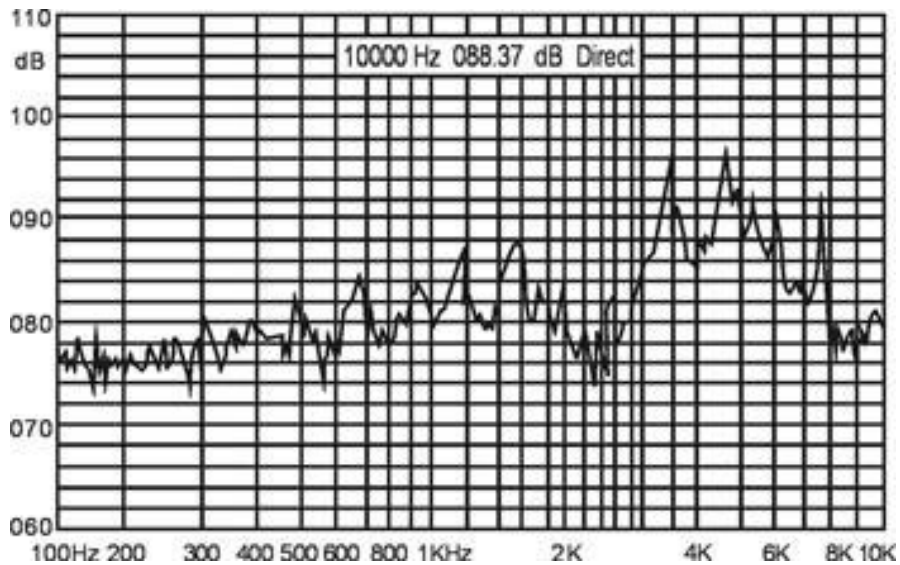
piezoelectric buzzer

WY3006

Testing Method:



Frequency Response:



Yue Xin Electronics Co., Ltd.

Add: People Industrial Park Chenbao Town Xinghua City Jiangsu province China

TEL:1803-6803-068 MAIL:ella_buzzer@163.com

www.yuexindz.com QQ:3605785188