



# specification

## SHEET FOR APPROVAL

Part Name: Piezoelectric passivr buzze

Type: YX-WY1404B

Customer P/N: \_\_\_\_\_

Number of the Edition: \_\_\_\_\_



	Approved by	Checked by	Issued by
Signature			张爱琴
Date			

**Yue Xin Electronics Co., Ltd.**

**Add:** People Industrial Park Chenbao Town Xinghua City Jiangsu province China

TEL:1803-6803-068

**MAIL:**ella\_buzzer@163.com

[www.yuexinz.com](http://www.yuexinz.com)

**QQ:**3605785188



# piezoelectric buzzer

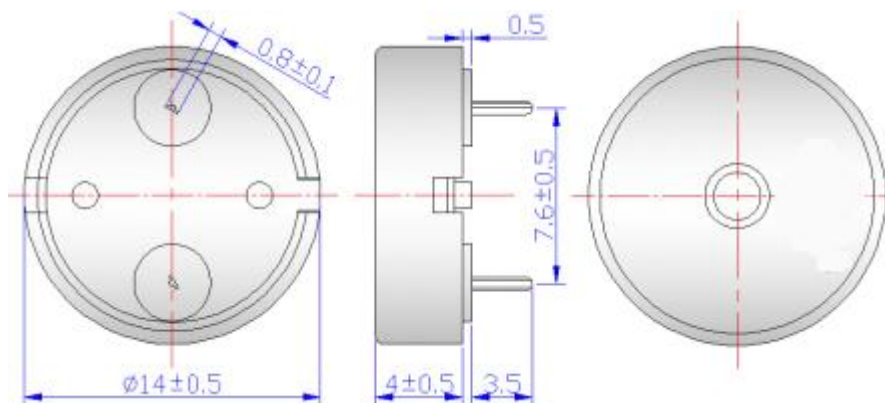
## YX-WY1404B

### Electrical Characteristics

Type	Unit	YD-WY1404B
Rated Voltage	V	12
Operating Voltage	V	30
*消耗电流 Current Consumption (mA)	mA	≤5 at 4.0KHz Square Wave 5Vp-p
*声压级 Sound Output at 10cm (dB)	dB	≥80 at 4.0KHz Square Wave 5Vp-p
电容量 Capacitance at 120Hz (nF)		12 ± 40%
Resonant Frequency	Hz	4000 ± 200
Operating Temperature	°C	-20 ~ +70
Storage Temperature	°C	-30 ~ +80
Housing Material		黑色 Black
Weight	g	1.0

### Dimensions

(UNT: mm) Tolerance: ±0.5mm Except Specified

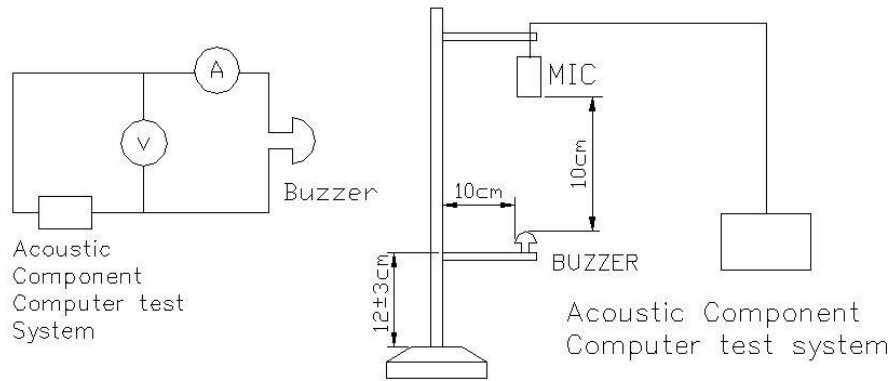




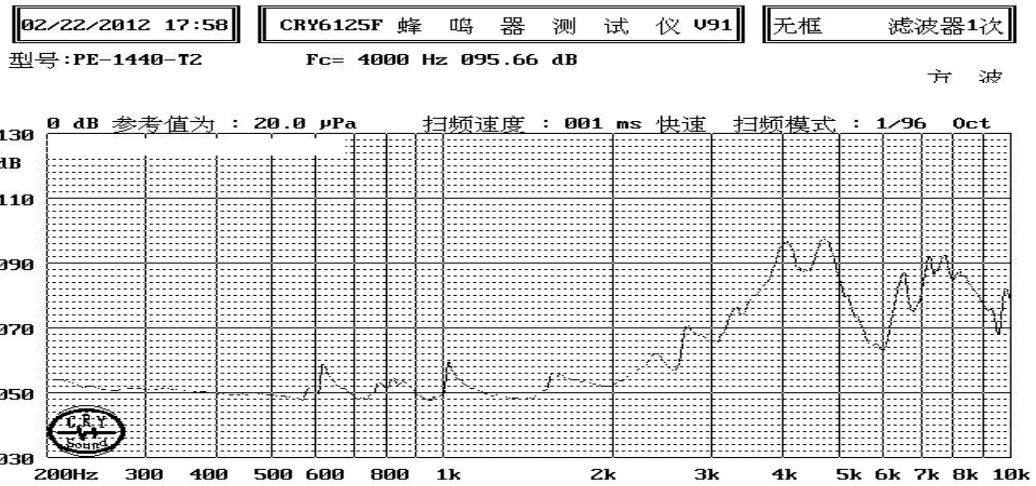
# piezoelectric buzzer

## YX-WY1404B

### Testing Method:



### Frequency Response:



Yue Xin Electronics Co., Ltd.

Add: People Industrial Park Chenbao Town Xinghua City Jiangsu province China

TEL:1803-6803-068

MAIL:ella\_buzzer@163.com

[www.yuexindz.com](http://www.yuexindz.com)

QQ:3605785188